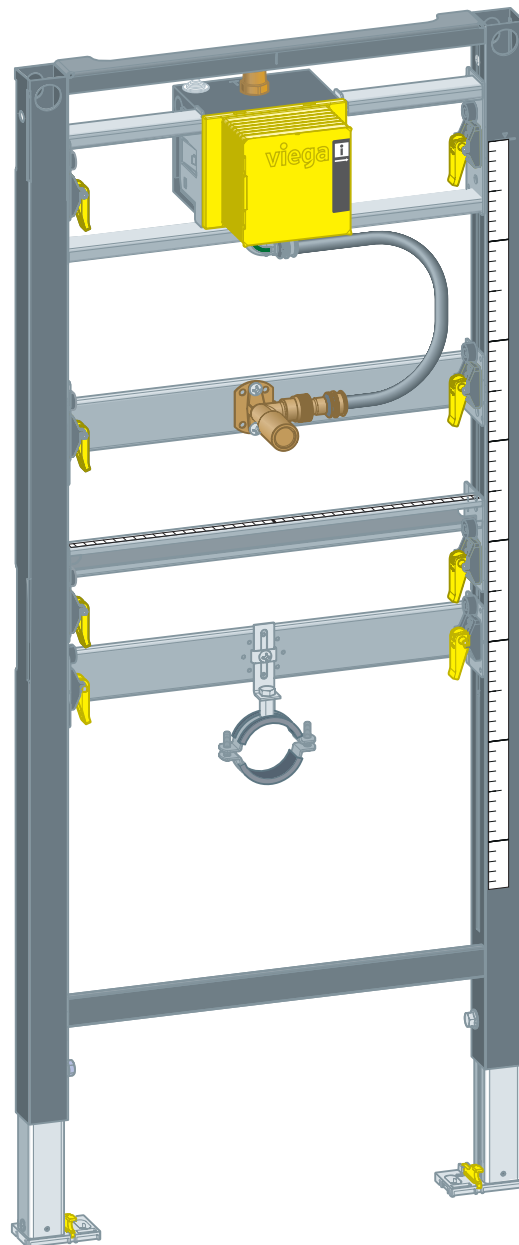


Prevista Dry urinal element

Instructions for Use



for urinal flush plates for Prevista (manual and touchless flush actuation) urinal ceramics with spray head

Model
8560.32

Year built:
from 03/2019

en_INT

viega

Table of contents

1	About these instructions for use	4
1.1	Target groups	4
1.2	Labelling of notes	4
1.3	About this translated version	5
2	Product information	6
2.1	Standards and regulations	6
2.2	Intended use	6
2.2.1	Areas of use	6
2.3	Product description	6
2.3.1	Overview	6
2.3.2	Compatible components	7
2.3.3	Technical data	7
2.4	Accessories	8
3	Handling	9
3.1	Assembly information	9
3.1.1	Mounting conditions	9
3.1.2	Installation dimensions	9
3.2	Assembly	10
3.2.1	Mounting the element	10
3.2.2	Mounting the water connection	16
3.2.3	Setting and cladding the element	17
3.3	Disposal	18

1 About these instructions for use

Trade mark rights exist for this document; for further information, go to viega.com/legal.

1.1 Target groups

The information in this instruction manual is directed at the following groups of people:

- Heating and sanitary professionals and trained personnel
- Drywall builder

Individuals without the abovementioned training or qualification are not permitted to mount, install and, if required, maintain this product. This restriction does not extend to possible operating instructions.

The installation of Viega products must take place in accordance with the general rules of engineering and the Viega instructions for use.

1.2 Labelling of notes

Warning and advisory texts are set aside from the remainder of the text and are labelled with the relevant pictographs.

**DANGER!**

This symbol warns of possible life-threatening injury.

**WARNING!**

This symbol warns of possible serious injury.

**CAUTION!**

This symbol warns of possible injury.

**NOTICE!**

This symbol warns of possible damage to property.



This symbol gives additional information and hints.

1.3 About this translated version

This instruction for use contains important information about the choice of product or system, assembly and commissioning as well as intended use and, if required, maintenance measures. The information about the products, their properties and application technology are based on the current standards in Europe (e.g. EN) and/or in Germany (e.g. DIN/DVGW).

Some passages in the text may refer to technical codes in Europe/Germany. These should serve as recommendations in the absence of corresponding national regulations. The relevant national laws, standards, regulations, directives and other technical provisions take priority over the German/European directives specified in this manual: The information herein is not binding for other countries and regions; as said above, they should be understood as a recommendation.

2 Product information

2.1 Standards and regulations

The following standards and regulations apply to Germany / Europe and are provided as a support feature.

Regulations from section: Fields of application / Mounting conditions

Scope / Notice	Regulations applicable in Germany
Suitable masonry walls	EN 1996-1-1
Suitable concreted walls	DIN 1045
Suitable support profiles	DIN 18183

2.2 Intended use

2.2.1 Areas of use

The Prevista Dry urinal element is suitable for mounting on masonry wall constructions and support profiles pursuant to the regulations in section [↪ „Regulations from section: Fields of application / Mounting conditions“ on page 6](#) and can be used in a Prevista Dry Plus pre-wall construction.

2.3 Product description

2.3.1 Overview

The urinal element is equipped as follows:

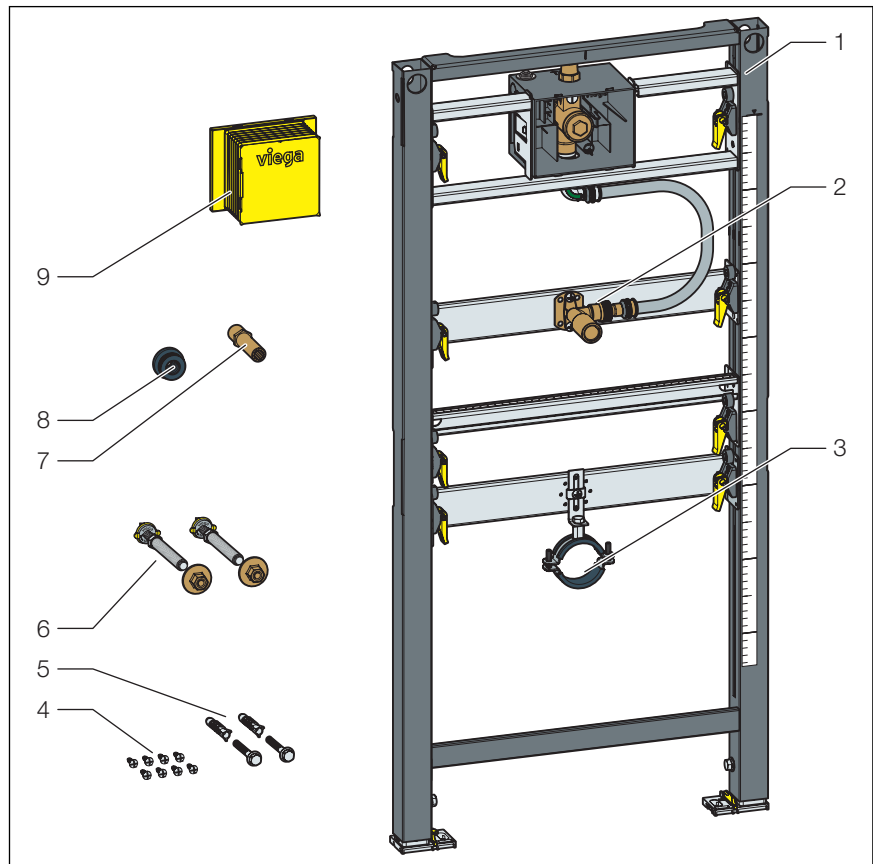


Fig. 1: Components

- 1 Urinal element
- 2 Supply fitting
- 3 Holder for drain elbow
- 4 Screws for fixing in support profile
- 5 Screws and dowels for fixing in the floor
- 6 Sanitary object fixing
- 7 Plug-in piece
- 8 Seal
- 9 Site protection

2.3.2 Compatible components

The urinal element is compatible with all common urinal ceramics, even with spray head.

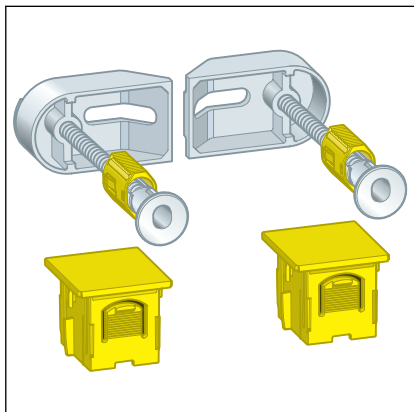
2.3.3 Technical data

Drain elbow	DN 50
Fitting connection	Rp ½
Construction height	1120 mm–1300 mm
Hole diameter for fixing in wooden frame construction	11 mm

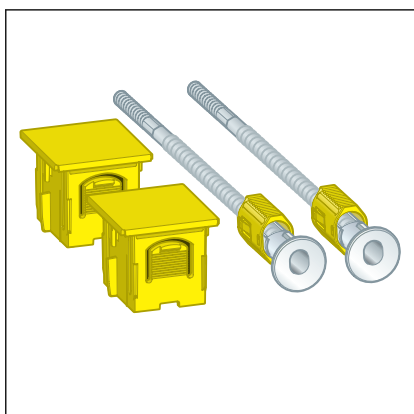
2.4 Accessories

For mounting on a masonry wall, Viega recommends a Prevista Dry fixing set.

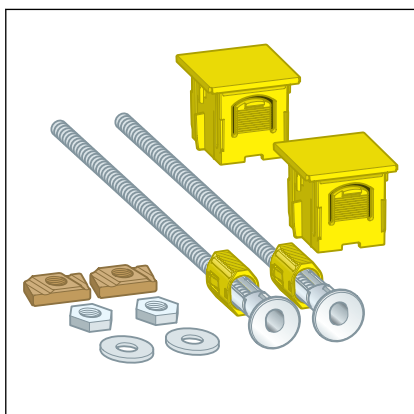
Prevista Dry fixing set model 8570.36.



Prevista Dry fixing set model 8573.



Prevista Dry Plus fixing set model 8570.49.



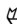
3 Handling

3.1 Assembly information

3.1.1 Mounting conditions

Suitable walls

- Masonry walls
- Concreted walls
- Metal support profiles
- Viega Prevista Dry Plus pre-wall constructions

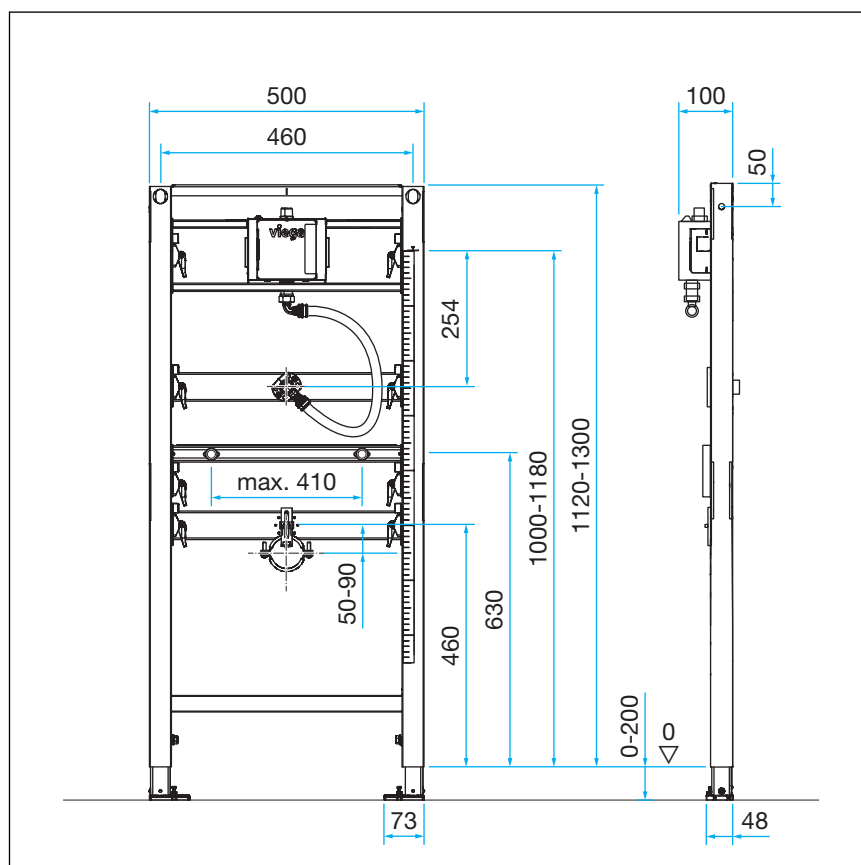
The wall constructions must comply with the regulations in section  „Regulations from section: Fields of application / Mounting conditions“ on page 6.

The urinal element may only be mounted on even wall surfaces.

Construction height

The urinal element is suitable for construction heights of 1120—1300 mm.

3.1.2 Installation dimensions



3.2 Assembly

3.2.1 Mounting the element



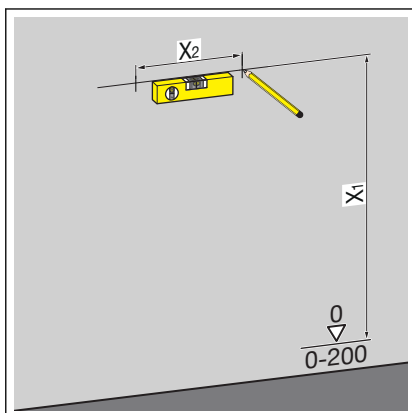
Masonry and concreted walls

You should use a Prevista Dry support bracket (model 8570.48) when mounting multiple urinal elements with an interval of > 500 mm. Observe the instructions for use of the support bracket when mounting.



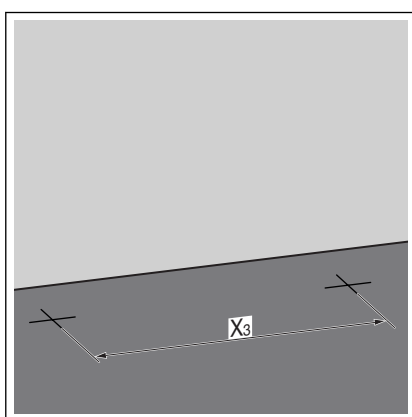
For mounting, Viega recommends a Prevista Dry fixing set.

Mounting to a masonry wall



► Determine and mark the fixing points.

- X1:
 - with construction height 1120 mm: 1100 mm
 - with construction height 1300 mm: 1280 mm
- X2: 460 mm



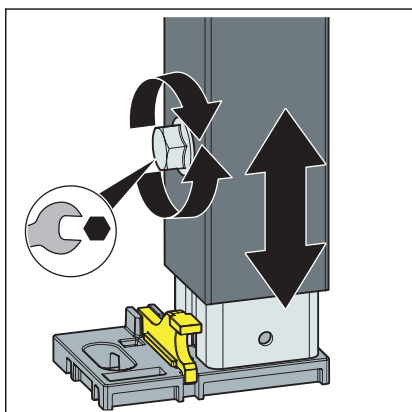
► Determine and mark the fixing points on the floor.

- X3: 375 mm

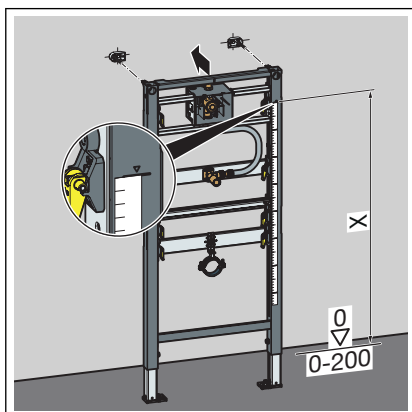
► Drill the holes.

► Insert the dowels.

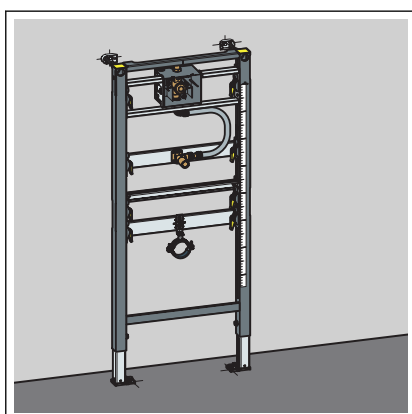
INFO! Mount the Prevista Dry fixing set according to the instructions for use for the fixing set.



► Loosen the feet of the element using a fork spanner.



- Adjust the construction height of the element in accordance with the on-site marking of the upper edge of the finished floor.
 - X: 1000 mm
- Tighten the feet of the element using a fork spanner.

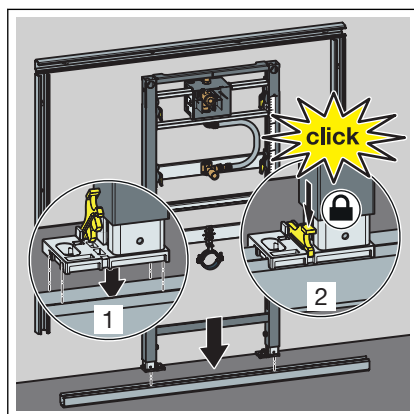


- ⇒ The element is attached to the wall.

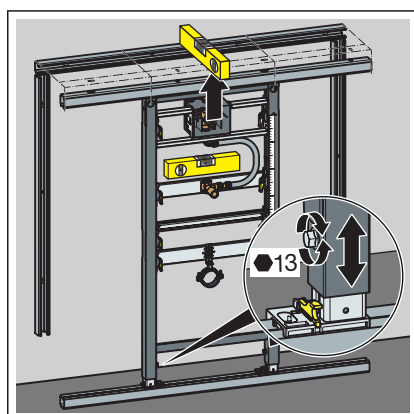
Mounting in Prevista Dry Plus



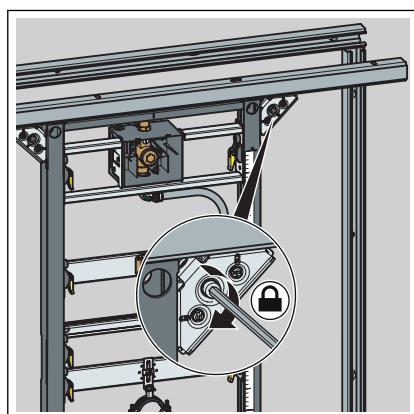
Mount the Prevista Dry Plus pre-wall construction according to the instructions for use of the Prevista Dry Plus system.



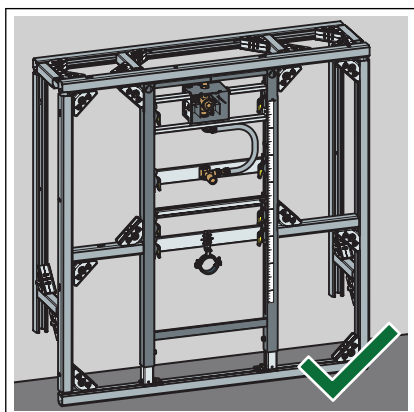
- Position the element on the floor rail.
- Fix the feet on the floor rail using the clips.



- Set the height of the element by means of the feet.

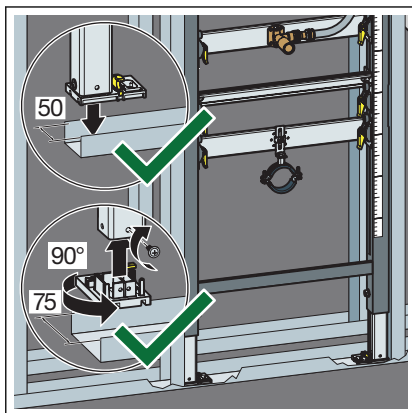


- Fix the element with the Prevista Dry Plus Steptec rail connectors.

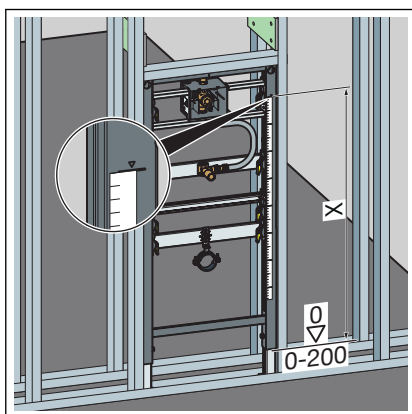


⇒ The element is fixed in the Prevista Dry Plus pre-wall construction.

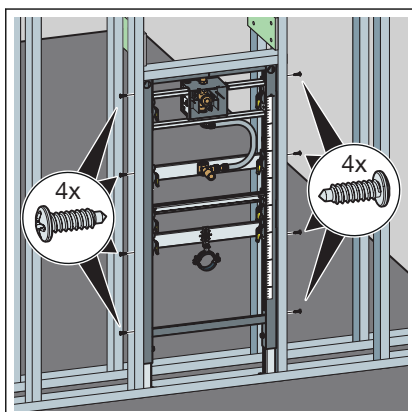
Mounting in metal support profile



- Position the element on the floor rail.
- If necessary, adjust the foot depth from 50 mm (pre-mounted) to 75 mm.
- Pull the foot out and turn by 90°.
- Screw the feet together with the support profile.

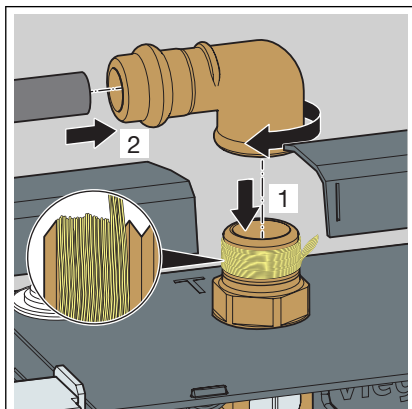


- Adjust the construction height of the element in accordance with the on-site marking of the upper edge of the finished floor.
 - X: 1000 mm

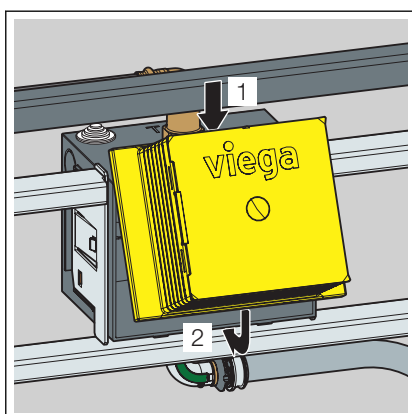


- Attach the element to the support profiles using the screws supplied.

3.2.2 Mounting the water connection

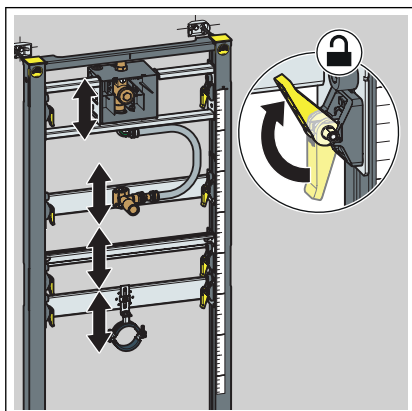


- Seal the connection end of the urinal water pipe section.
- Screw the threaded end of the Steptec rail connector and the connection end of the urinal water pipe section.
- Place the water inlet in the Steptec rail connector.
- Press the connection.

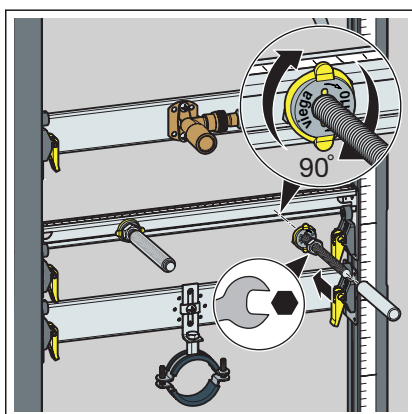


- Mount the revision shaft.

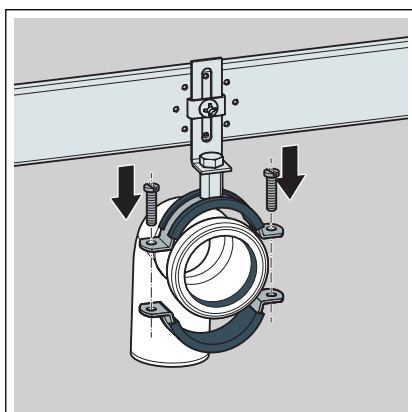
3.2.3 Setting and cladding the element



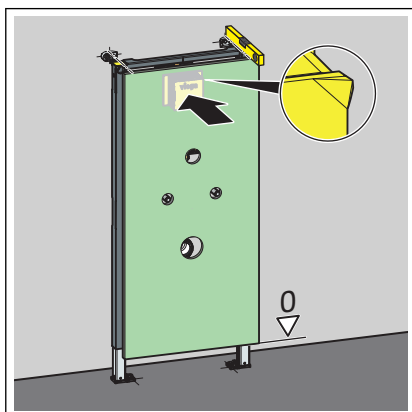
- Use the quick releases to adjust the ledges for drain elbows, supply fittings and urinal fixing to the desired height.



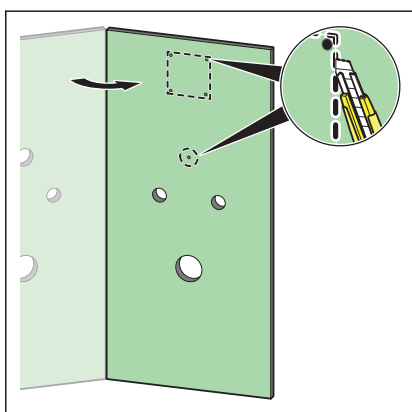
- Turn in the threaded rods by hand.
- Tighten the nuts of the threaded rods with a fork spanner.
- Place the protective caps on the threaded rods.



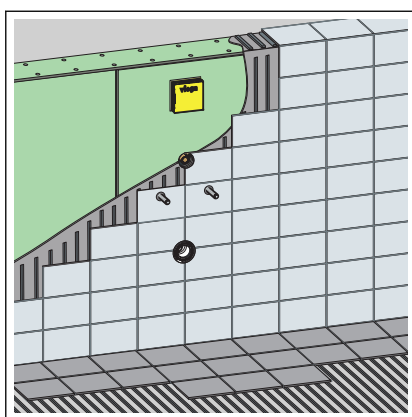
- Mount a drain elbow.



- Corn the gypsum cardboard cladding panel at the revision shaft by applying gentle pressure.



- Cut out the recesses for the drain elbow, the revision shaft and the threaded rods.



- Clad the element with suitable gypsum cardboard cladding panels.

3.3 Disposal

Separate the product and packaging materials (e. g. paper, metal, plastic or non-ferrous metals) and dispose of in accordance with valid national legal requirements.